

# NINGBO HAITIAN SMART SOLUTIONS TECHNOLOGY CO., LTD.

ADD: No.32 Jiangnan Zhong Road, Xiaogang, Beilun, Ningbo , P.R.China.

Zipcode: P.R.China 315801

Tel: +86-574-86185122 86185758

Fax: +86-574-86181692

E-Mail: htsmart@mail.haitian.com



## Auxiliary Equipment

### Product pickup

GA&XTD Series / Specification



WeChat Official  
Account

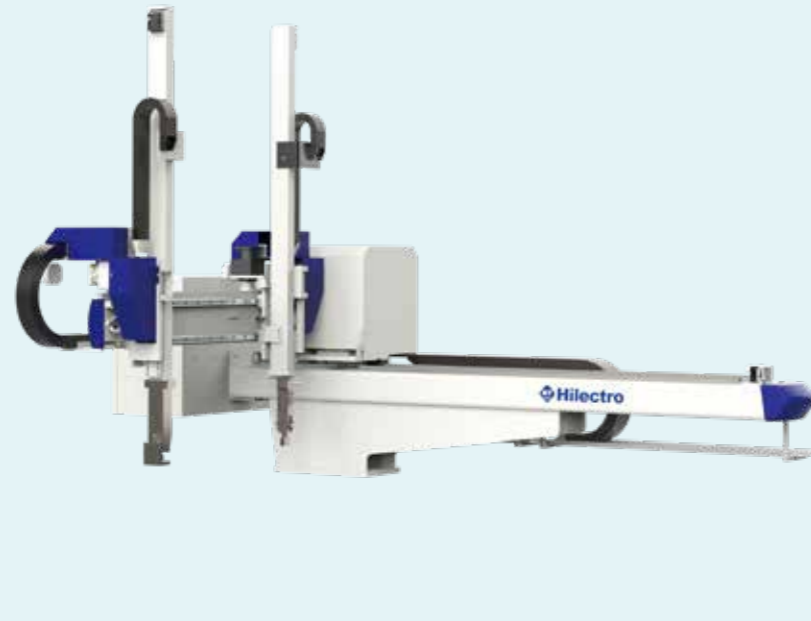
HT 20230201-CV





# GA 650 Series

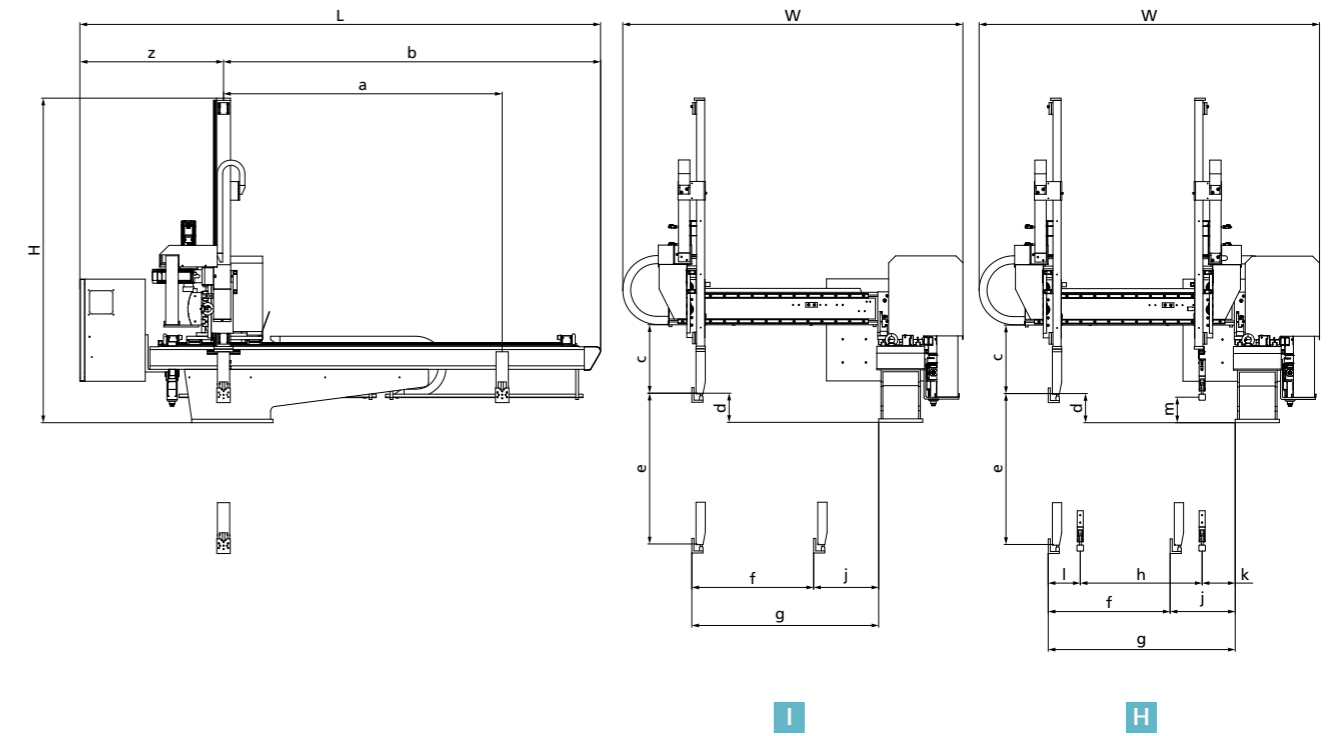
GA full servo  
Fit 40-120 t IMM  
More efficient  
More stable



## Basic reference

Unit	Form of boom	IMM	Power supply	Air pressure	Amount of air to be consumed	Type of drive	Minimum pickup time	Full-circulation time (not including fixture)	Maximum load (including fixture)	Post torque	Weight
Model	-	ton	-	MPa	NL/cycle	-	s	s	kg	N.m	kg
GA-650(H)S	Singlecut suspension	40-120	230V AC 50/60Hz L/N/PE 12A	0.5-0.8	5.2/5.5	Full servo drive	1.70	6.1	4	7.2	230/250

## Size & Data



## Specifications

Type	GA-650	
	GA-650IS	GA-650HS
L	2280	2280
W	1560	1560
H	1400	1400
a	1200	1200
b	1620	1620
c	250	250
d	120	120
e	650	650
f	655	525
g	800	800
h	-	525
j	145	275
k	-	145
l	-	130
m	-	120
z	660	660
Remark	Non operating side: b=1635, z=645	





# GA 800 Series

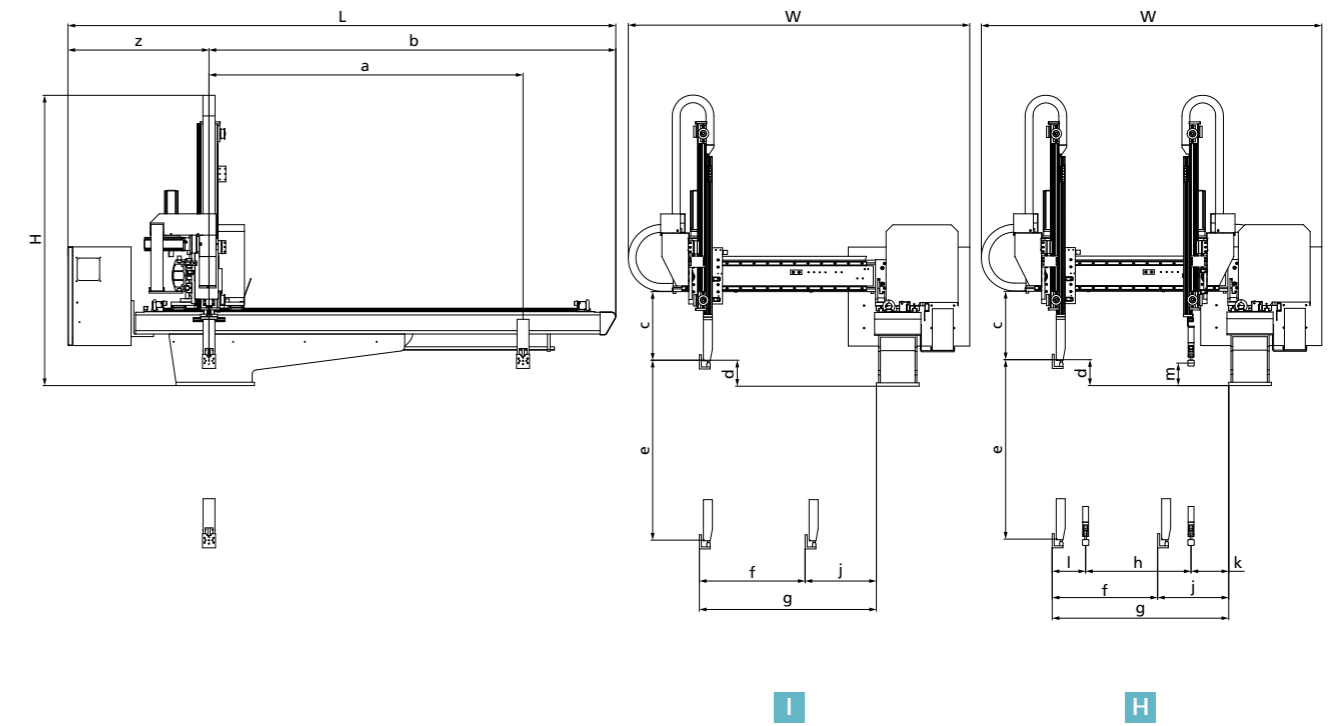
GA full servo  
Fit 40-380 t IMM  
More efficient  
More stable



## Basic reference

Unit	Form of boom	IMM	Power supply	Air pressure	Amount of air to be consumed	Type of drive	Minimum pickup time	Full-circulation time (not including fixture)	Maximum load (including fixture)	Post torque	Weight
Model	-	ton	-	MPa	NL/cycle	-	s	s	kg	N.m	kg
GA-800(H)D		40-250					1.75	6.5	4	7.2	240/270
GA-900(H)D	Double-section frame	40-320	230V AC 50/60Hz L/N/PE 12A	0.5-0.8	5.2/5.5	Full servo drive	1.83	6.7	4	7.2	245/285
GA-1000(H)D		90-380					1.91	6.9	4	7.2	280/310

## Size & Data



## Specifications

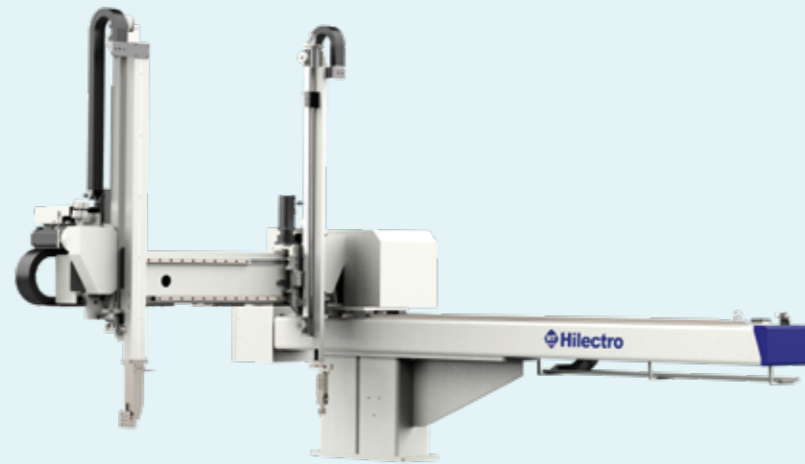
Type	GA-800		GA-900		GA-1000	
	GA-800ID	GA-800HD	GA-900ID	GA-900HD	GA-1000ID	GA-1000HD
L	2480	2480	2480	2480	2480	2480
W	1560	1560	1680	1680	1680	1680
H	1300	1300	1360	1360	1420	1420
a	1400	1400	1400	1400	1400	1400
b	1820	1820	1820	1820	1820	1820
c	220	220	220	220	220	220
d	110	110	110	110	110	110
e	850	850	950	950	1050	1050
f	590	470	710	590	710	590
g	790	790	910	910	910	910
h	-	470	-	590	-	590
j	200	320	200	320	200	320
k	-	170	-	170	-	170
l	-	150	-	150	-	150
m	-	130	-	130	-	130
z	665	665	665	665	665	665
Remark	Non operating side: b=1835, z=645					





# GA-I(H)D 1100 series

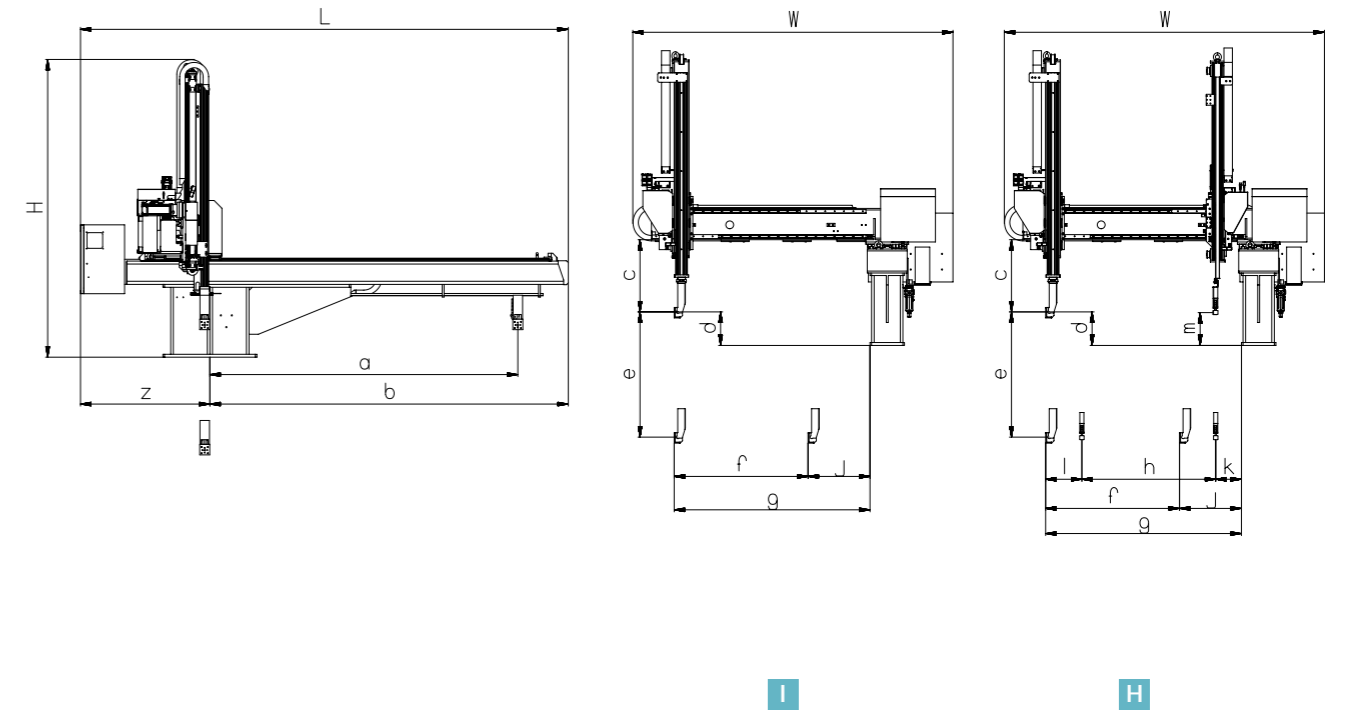
GA full servo  
Fit 380-650 t IMM  
More efficient  
More stable



## Basic reference

Model	Unit	Form of boom	IMM	Power supply	Air pressure	Amount of air to be consumed	Type of drive	Minimum pickup time	Full-circulation time (not including fixture)	Maximum load (including fixture)	Post torque	Weight
		-	ton	-	MPa	NL/cycle	-	s	s	kg	N.m	kg
GA-1100I(H)D		Double-section frame	380-550	230V AC 50/60Hz L/N/PE 16A	0.5-0.8	9.0/9.3	Full servo drive	1.96	7.96	8	10	480/520
GA-1300I(H)D			470-650					2.00	8.04	8	10	510/550

## Size & Data



## Specifications

Type	GA-1100		GA-1300	
	GA-1100ID	GA-1100HD	GA-1300ID	GA-1300HD
L	2916	2916	3116	3116
W	1870	1870	2050	2050
H	1720	1720	1780	1780
a	1800	1800	2000	2000
b	2090	2090	2290	2290
c	460	460	460	460
d	210	210	210	210
e	1100	1100	1300	1300
f	865	655	1065	855
g	1050	1050	1250	1250
h	-	655	-	855
j	185	395	185	395
k	-	165	-	165
l	-	230	-	230
m	-	250	-	250
z	826	826	826	826
Remark	Non operating side: b=2300,z=616		Non operating side: b=3000,z=616	





# GA-I(H)D/w 1100 series

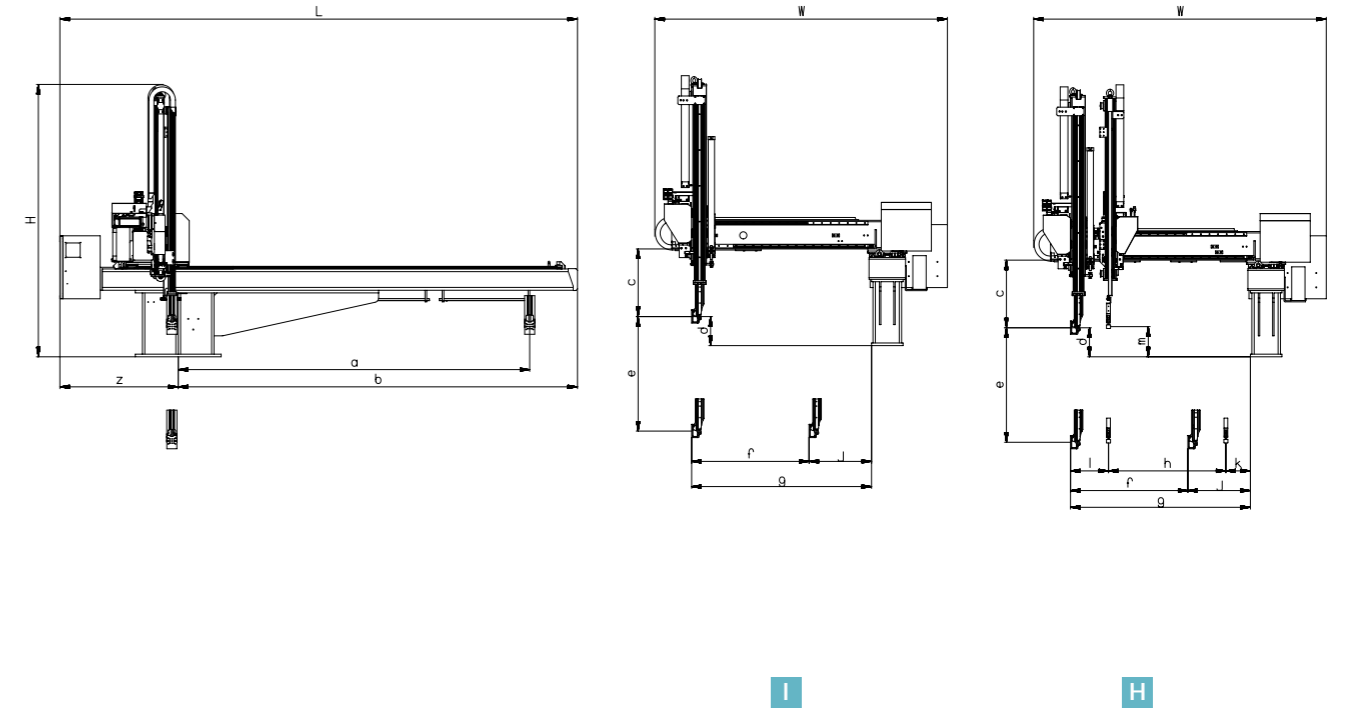
GA full servo  
Fit 470-900 t IMM  
More efficient  
More stable



## Basic reference

Model	Unit	Form of boom	IMM	Power supply	Air pressure	Amount of air to be consumed	Type of drive	Minimum pickup time	Full-circulation time (not including fixture)	Maximum load (including fixture)	Post torque	Weight
		-	ton	-	MPa	NL/cycle	-	s	s	kg	N.m	kg
GA-1300I(H)D/w		Double-section frame	470-650	230V AC 50/60Hz L/N/ PE 16A	0.5-0.8	11.5/11.8	Full servo drive	2.00	8.04	12	20	520/560
GA-1500I(H)D/lite			470-900					2.08	8.20	12	20	550/600

## Size & Data



## Specifications

Type	GA-1300/w		GA-1500/lite	
	GA-1300ID/w	GA-1300HD/w	GA-1500ID/lite	GA-1500HD/lite
L	3116	3116	3616	3616
W	2050	2050	2050	2050
H	1780	1780	1900	1900
a	2000	2000	2500	2500
b	2290	2290	2790	2790
c	460	460	460	460
d	210	210	210	210
e	1300	1300	1300	1300
f	1025	815	1025	815
g	1250	1250	1250	1250
h	-	815	-	815
j	225	435	225	435
k	-	165	-	165
l	-	270	-	270
m	-	250	-	250
z	826	826	826	826
Remark	Non operating side: b=3000,z=616		Non operating side: b=2500,z=616	





# GA-I(H)D 1500 Series

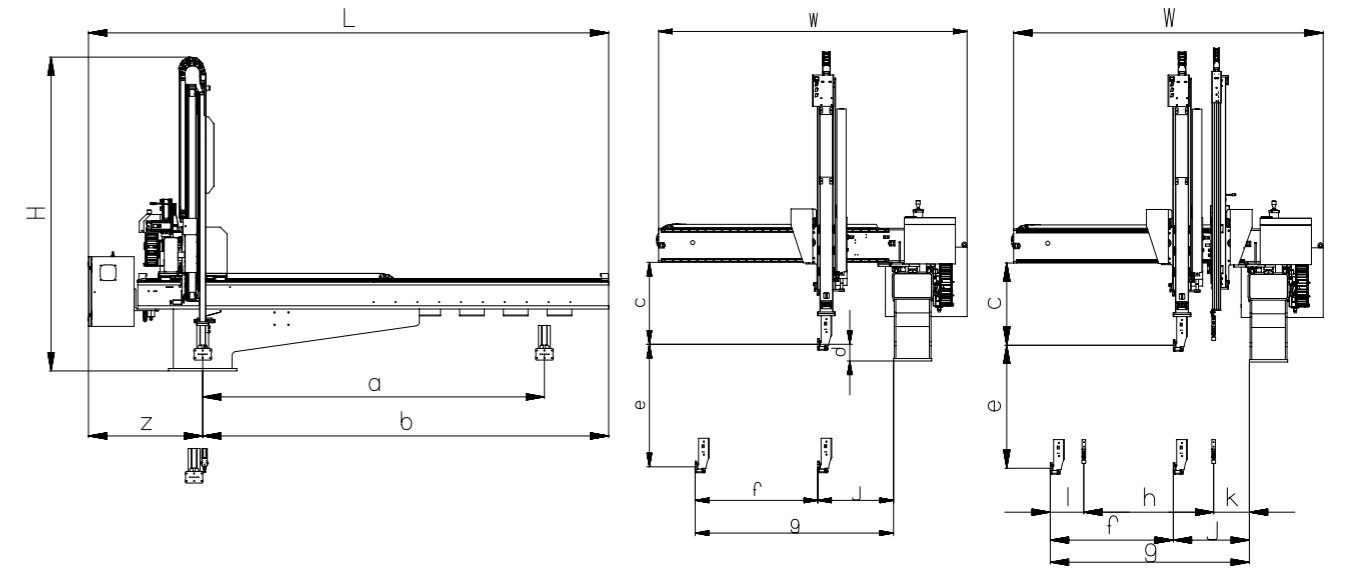
GA full servo  
Fit 470-900 t IMM  
More efficient  
More stable



## Basic reference

Model	Unit	Form of boom	IMM	Power supply	Air pressure	Amount of air to be consumed	Type of drive	Minimum pickup time	Full-circulation time (not including fixture)	Maximum load (including fixture)	Post torque	Weight
		-	ton	-	MPa	NL/cycle	-	s	s	kg	N.m	kg
GA-1500I(H)D		Double-section frame	470-900	230V AC 50/60Hz L/N/PE 20A	0.5-0.8	18.3/19.0	Full servo drive	3.11	11.4	20	36	832/881
GA-1700I(H)D			470-900					3.28	11.57	20	36	848/909

## Size & Data



I

H

## Specifications

Type	GA-1500		GA-1700	
	GA-1500ID	GA-1500HD	GA-1700ID	GA-1700HD
L	3810	3810	3810	3810
W	2265	2265	2265	2265
H	2116	2116	2236	2236
a	2500	2500	2500	2500
b	2970	2970	2970	2970
c	602	602	602	602
d	122	122	122	122
e	1500	1500	1700	1700
f	1290	1030	1290	1030
g	1560	1560	1560	1560
h	-	1030	-	1030
j	270	530	270	530
k	-	235	-	235
l	-	295	-	295
m	-	170	-	170
z	840	840	840	840
Remark				





# GA/h High speed Series

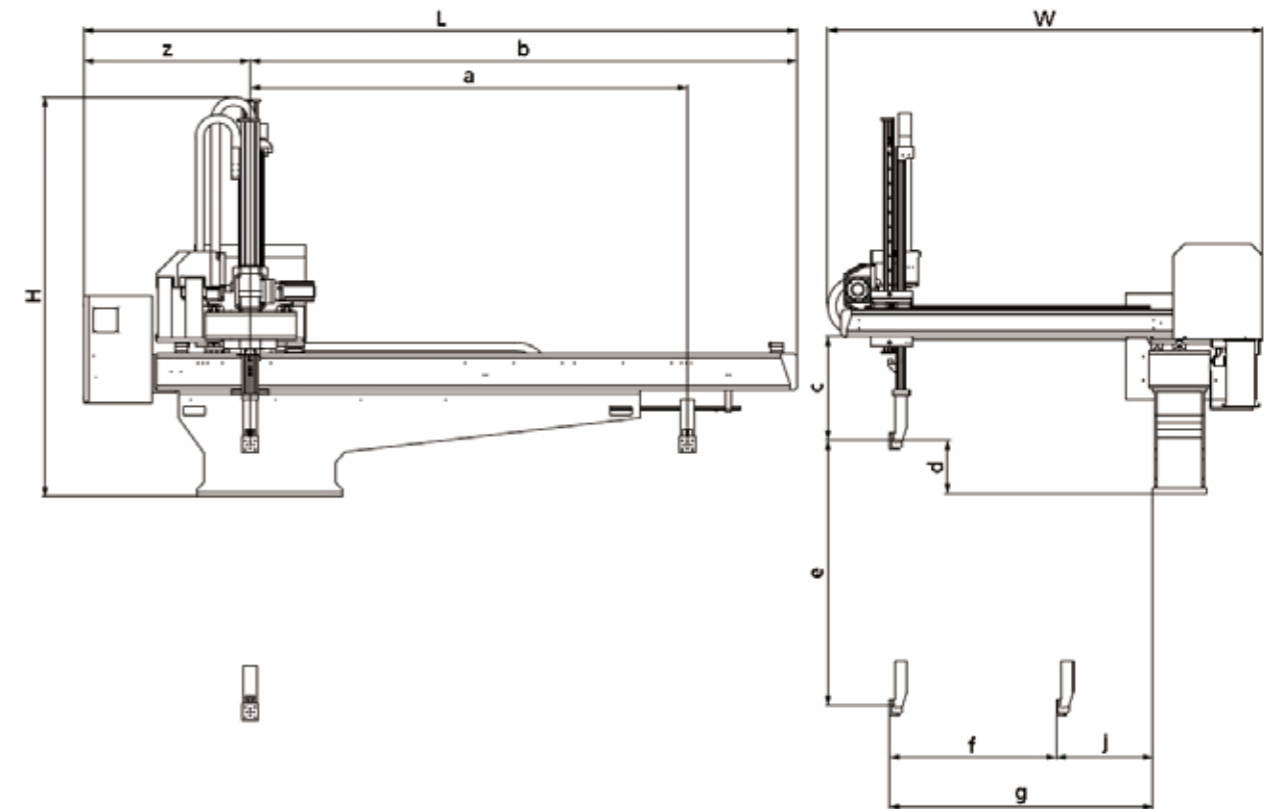
Fit 40-550 t IMM  
More faster  
More efficient



## Basic reference

Model	Unit	Form of boom	IMM	Power supply	Air pressure	Amount of air to be consumed	Type of drive	Minimum pickup time	Full-circulation time (not including fixture)	Maximum load (including fixture)	Post torque	Weight
		-	ton	-	MPa	NL/cycle	-	s	s	kg	N.m	kg
GA-800ID/h			40-250			4		1.14	4.3	2	8.5	300
GA-900ID/h			40-320	230V AC 50/60Hz L/N/ PE 16A		4		1.15	4.4	2	8.5	310
GA-1000ID/h		Double-section frame	90-380		0.5-0.8	4	Full servo drive	1.21	4.5	2	8.5	320
GA-1100ID/h			380-450			6.5		1.51	6.1	4	13	515
GA-1300ID/h			380-550	230V AC 50/60Hz L/N/ PE 20A		6.5		1.55	6.3	4	13	520

## Size & Data



## Specifications

Type	GA-800ID/h	GA-900ID/h	GA-1000ID/h	GA-1100ID/h	GA-1300ID/h
L	2320	2500	2500	2990	3170
W	1450	1570	1570	1790	1970
H	1340	1400	1460	1700	1800
a	1400	1600	1600	1800	2000
b	1760	1940	1940	2170	2350
c	260	260	260	328	328
d	140	140	140	200	200
e	800	900	1000	1100	1300
f	570	670	670	900	1100
g	700	800	800	1050	1250
j	130	130	130	150	150
z	550	550	550	800	800

Remark





# XTD-ID

**XTD full servo**  
Fit 380-4000 t IMM  
More efficient  
More stable



## Basic reference

Model	Unit	Form of boom	IMM	Power supply	Air pressure	Amount of air to be consumed	Type of drive	Minimum pickup time	Full-circulation time (not including fixture)	Maximum load (including fixture)	Post torque	Weight
		-	ton	-	MPa	NL/cycle	-	s	s	kg	N.m	kg
XTD-1100ID			380-550			9.0		2.28	7.5	8	13	430
XTD-1300ID			470-650			9.0		2.40	8.0	8	13	460
XTD1500ID/lite			470-900			9.0		2.80	10.3	12	25	500
XTD-1500ID		Open type	470-900	400V AC50Hz 3P/N/PE	0.5-0.8	11.8	Full servo drive	2.43	9.1	20	45	1210
XTD-1700ID	470-900		2.56					9.4	20	45	1250	
XTD-2000ID	1000-1600		3.00					12.0	35	100	1248	
XTD-2500ID			1300-2400			35.0		5.00	17.0	40	200	2512
XTD-3000ID			2400-4000			60.0		6.50	20.0	80	360	2650
Remark	Power supply of Non-CE certified robot: XTD-1100-1500/lite :230V AC50/60Hz L/N/PE XTD-1500-3000: 400V AC 50Hz 3P/N/PE											



Automotive



Logistics

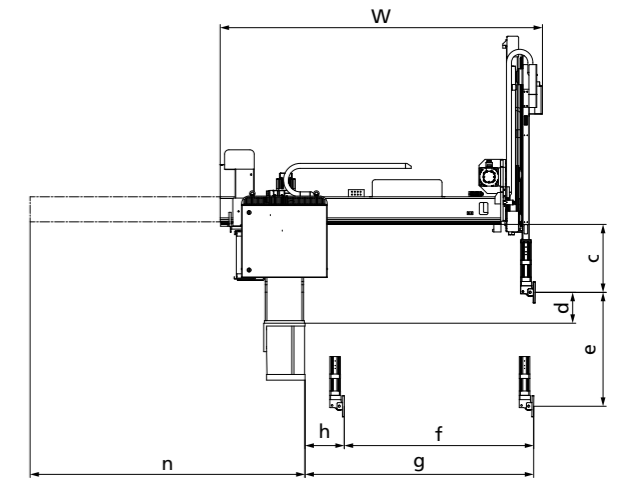
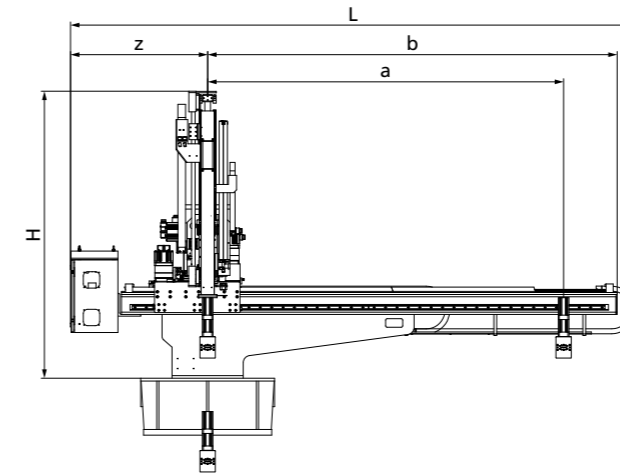


Home appliance



Home furnishings

## Size & Data



## Specifications

Type	XTD-1100ID	XTD-1300ID	XTD1500ID/lite	XTD-1500ID	XTD-1700ID	XTD-2000ID	XTD-2500ID	XTD-3000ID
L	3004	3184	3820	3920	3920	4385	4520	5080
W	1962	2162	2162	2450	2450	3535	3685	3580
H	1610	1670	1810	2025	2145	2480	3150	3522
a	1800	2000	2500	2500	2500	3000	3500	4000
b	2310	2490	2970	2960	2960	3620	4245	4805
c	402	402	402	500	500	452	593	601
d	260	260	188	190	190	325	366	358
e	1100	1300	1500	1500	1700	2000	2500	3000
f	980	1160	1160	1340	1340	1800	2200	2200
g	1235	1415	1415	1630	1630	2165	2715	2695
h	255	255	255	290	290	365	515	495
n	1480	1660	1660	1907	1907	2500	3082	3087
z	700	700	700	942	942	945	1095	1095
Remark	Base displacement: 50mm							



