

## Ningbo Haitian Smart Solutions Technology Co., Ltd.

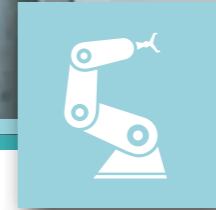
ADD: No.32 Jiangnan Zhong Road, Xiaogang, Beilun, Ningbo , P.R, China.

Zipcode:315821

Tel: +86-574-86185756 86185758

Fax: +86-574-86182618

E-Mail: htsmart@mail.haitian.com



# Auxiliary Equipment

**Product pickup**

XT Series / Specification



WeChat Official  
Account

HT 20211111-CV





# XTA-I(H)D

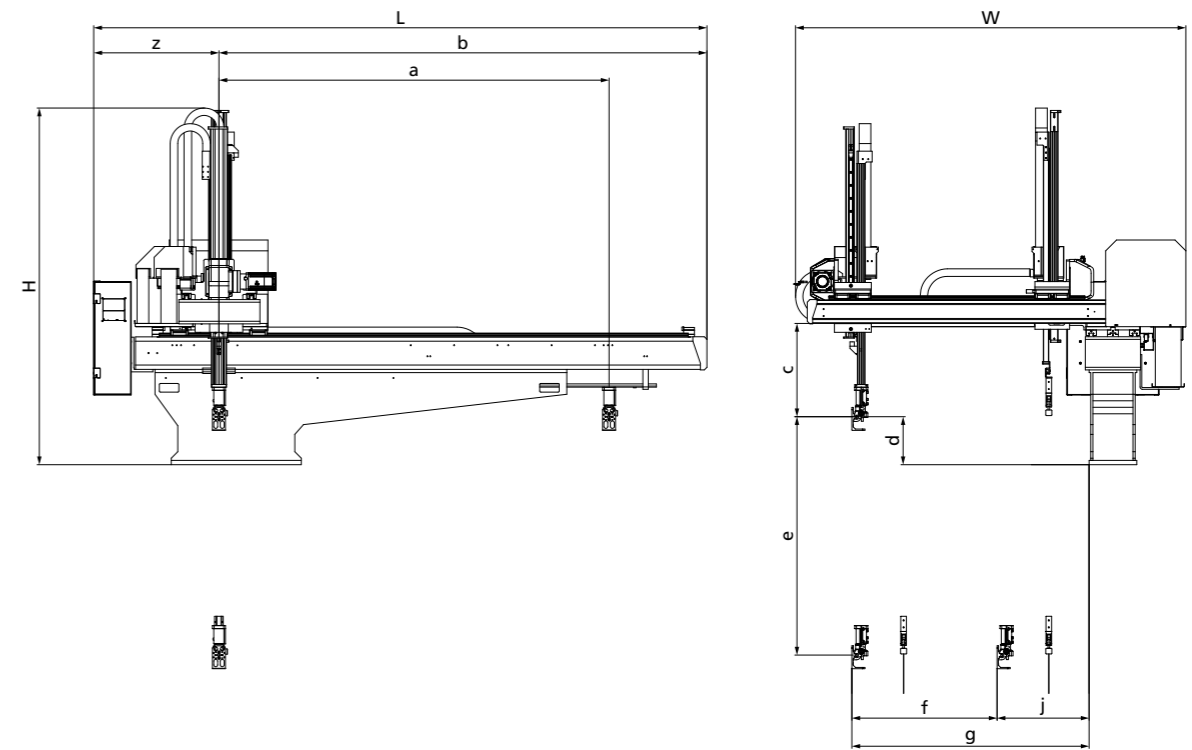
XTA full servo  
Fit 40-470 t IMM  
More efficient  
More stable



## Basic reference

Model	Unit	Form of boom	IMM	Power to be consumed	Power supply	Capacity of power supply equipment	Air pressure	Amount of air to be consumed	Type of drive	Minimum pickup time	Full-circulation time (not including fixture)	Maximum load (including fixture)	Post torque	Weight
		-	ton	kW	-	kVA	MPa	NL/cycle	-	s	s	kg	N.m	kg
XTA-800I(H)D			60-250	1.2/2.1		3.0	0.49	6.8		1.59	6.5	5	8.5	290/345
XTA-900I(H)D		Double-section frame	250-380	1.2/2.1	AC single-phase 200V±10% 50/60Hz	3.0	0.49	6.8	Full servo drive	1.67	7	5	8.5	295/355
XTA-1000I(H)D			380-470	1.2/2.1		3.0	0.49	7		1.75	7.1	5	8.5	300/365

## Size & Data



## Specifications

Type	XTA-800		XTA-900		XTA-1000	
	XTA-800ID	XTA-800HD	XTA-900ID	XTA-900HD	XTA-1000ID	XTA-1000HD
L	2320	2320	2320	2320	2320	2320
W	1570	1570	1690	1690	1690	1690
H	1340	1340	1400	1400	1460	1460
a	1400	1400	1400	1400	1400	1400
b	1760	1760	1760	1760	1760	1760
c	260	260	260	260	260	260
d	140	140	140	140	140	140
e	800	800	900	900	1000	1000
f	670	480	790	600	790	600
g	800	800	920	920	920	920
h	-	480	-	600	-	600
j	130	320	130	320	130	320
k	-	150	-	150	-	150
l	-	170	-	170	-	170
m	-	190	-	190	-	190
z	550	550	550	550	550	550
Remark						



Automotive



Consumer electronics



Home furnishings



Toy



# XTA-I(H)D

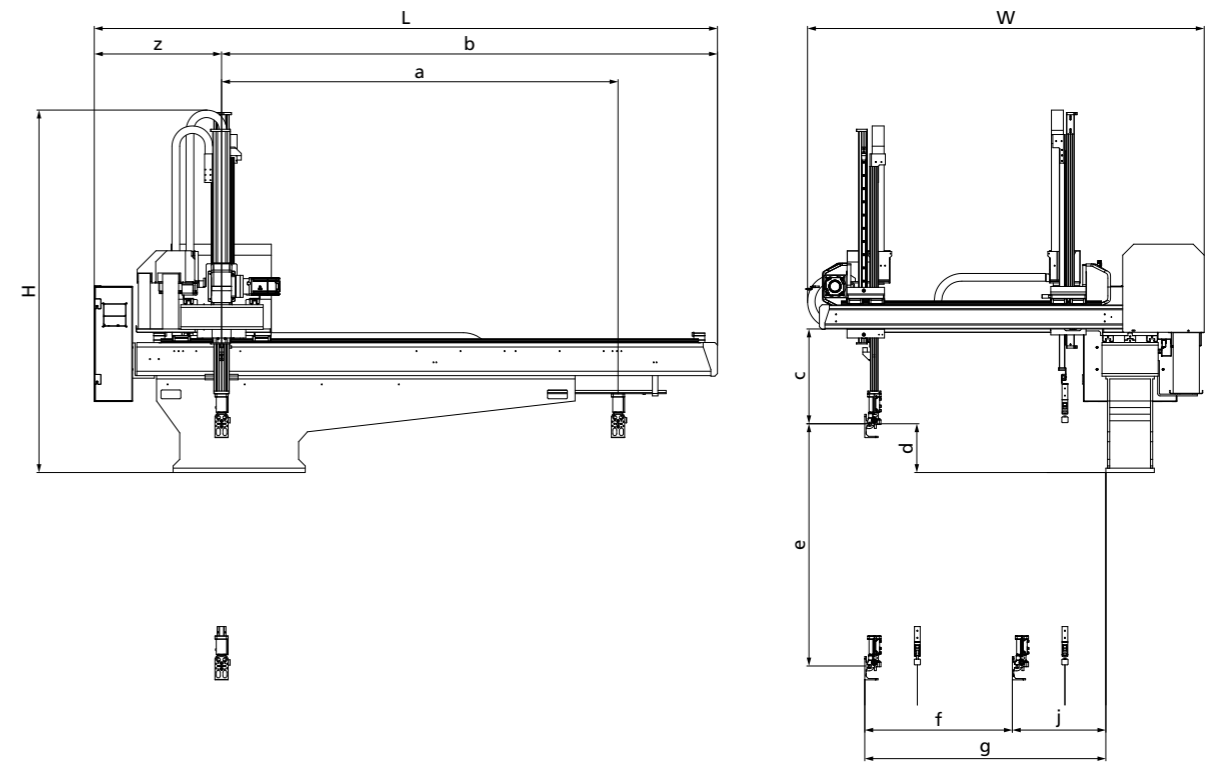
XTA full servo  
Fit 380-1000 t IMM  
More efficient  
More stable



## Basic reference

Model	Unit	Form of boom	IMM	Power to be consumed	Power supply	Capacity of power supply equipment	Air pressure	Amount of air to be consumed	Type of drive	Minimum pickup time	Full-circulation time (not including fixture)	Maximum load (including fixture)	Post torque	Weight
		-	ton	kW	-	kVA	MPa	NL/cycle	-	s	s	kg	N.m	kg
XTA-1100(H)D			380-530	1.5/2.9		3	0.49	9.1		1.96	7.1	8	13	470/520
XTA-1300(H)D			530-700	1.5/2.9	AC single-phase 200V±10% 50/60Hz	3	0.49	9.2		2.16	8	8	13	530/580
XTA-1500(H)D/w/MS		Double-section frame	700-1000	1.9/3		3	0.49	21.4	Full servo drive	2.75	11.2	12	25	550/600
XTA-1500(H)D			700-1000	2.3/3.5	AC three-phase 200V±10% 50/60Hz	4	0.59	23.7		3.16	12.7	20	45	920/995
XTA-1700(H)D			1000-1300	2.3/3.5		4	0.59	25.1		3.24	14.48	20	45	935/1020

## Size & Data



## Specifications

Type	XTA-1100		XTA-1300		XTA-1500(H)D/w/MS		XTA-1500		XTA-1700	
	XTA-1100ID	XTA-1100HD	XTA-1300ID	XTA-1300HD	XTA-1500ID	XTA-1500HD	XTA-1500ID	XTA-1500HD	XTA-1700ID	XTA-1700HD
L	2970	2970	3150	3150	3540	3540	3847	3847	3847	3847
W	1790	1790	1970	1970	1970	1970	2480	2480	2480	2480
H	1650	1700	1750	1800	1950	1950	1935	1935	2065	2065
a	1800	1800	2000	2000	2500	2500	2500	2500	2500	2500
b	2170	2170	2350	2350	2890	2890	3102	3102	3102	3102
c	328	328	328	328	450	450	450	450	450	450
d	200	200	200	200	200	200	128	128	128	128
e	1100	1100	1300	1300	1500	1500	1500	1500	1700	1700
f	900	670	1100	870	1100	870	1320	1120	1320	1120
g	1050	1050	1250	1250	1250	1250	1520	1520	1520	1520
h	-	670	-	870	-	870	-	1120	-	1120
j	150	380	150	380	150	380	200	400	200	400
k	-	160	-	160	-	160	-	210	-	210
l	-	220	-	220	-	220	-	190	-	190
m	-	250	-	250	-	250	-	138	-	138
z	800	800	800	800	800	800	755	755	755	755

Remark





# XTA-I(H)D

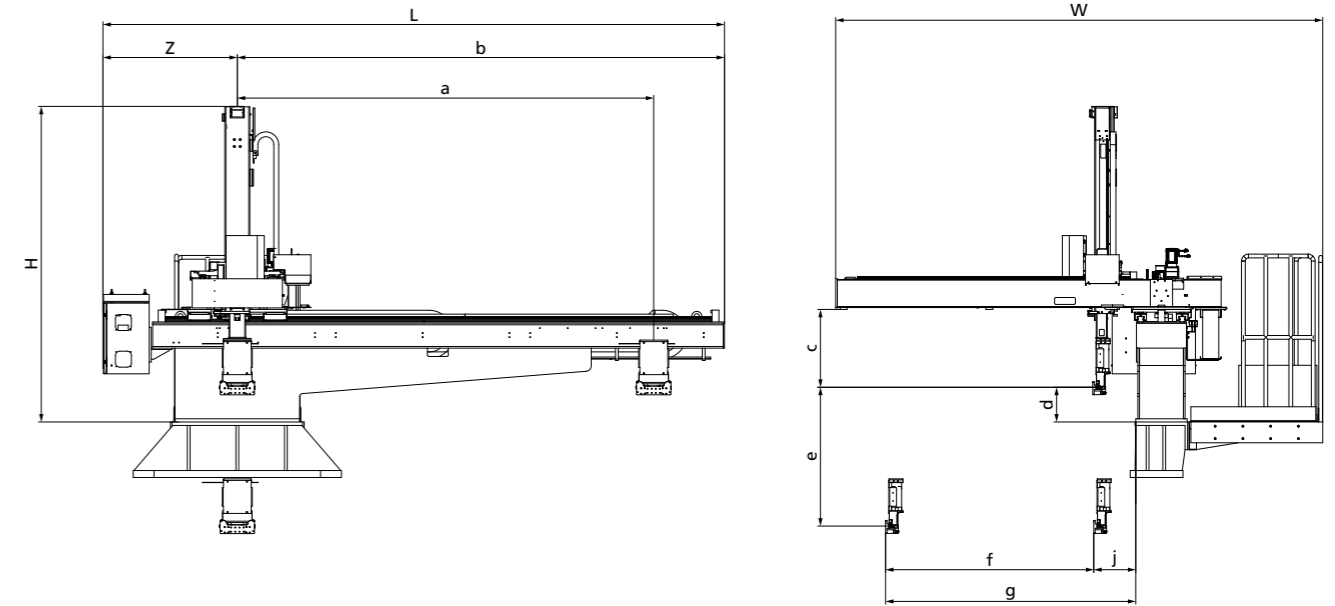
XTA full servo  
Fit 800-4000 t IMM  
More efficient  
More stable



## Basic reference

Model	Unit	Form of boom	IMM	Power to be consumed	Power supply	Capacity of power supply equipment	Air pressure	Amount of air to be consumed	Type of drive	Minimum pickup time	Full-circulation time (not including fixture)	Maximum load (including fixture)	Post torque	Weight
		-	ton	kW	-	kVA	MPa	NL/cycle	-	s	s	kg	N.m	kg
XTA-2000I(H)D			800-1600	2.8/5.0		6	0.59	27.67		5.53	16.6	35	100	1274/1341
XTA-2500ID		Double-section frame	1600-2100	4.0	AC three-phase 200V±10% 50/60Hz	10	0.59	33.3	Full servo drive	6.04	20	40	200	2630
XTA-3000ID			2100-4000	4.0		10	0.59	41.67		8.04	25	80	360	4400

## Size & Data



## Specifications

Type	XTA-2000		XTA-2500	XTA-3000
	XTA-2000ID	XTA-2000HD	XTA-2500ID	XTA-3000ID
L	4475	4475	5580	5980
W	3543	3543	4222	4222
H	2290	2290	3080	3320
a	3000	3000	3500	4000
b	3510	3510	4508	4700
c	555	555	719	819
d	250	250	445	345
e	2000	2000	2500	3000
f	1590	1415	1600	1600
g	1800	1800	2150	2150
h	-	1415	-	-
j	210	550	550	550
k	-	180	-	-
l	-	310	-	-
m	-	300	-	-
z	965	965	1072	1072

Remark



Automotive



Logistics



Home appliance



Home furnishings



# XTD-ID

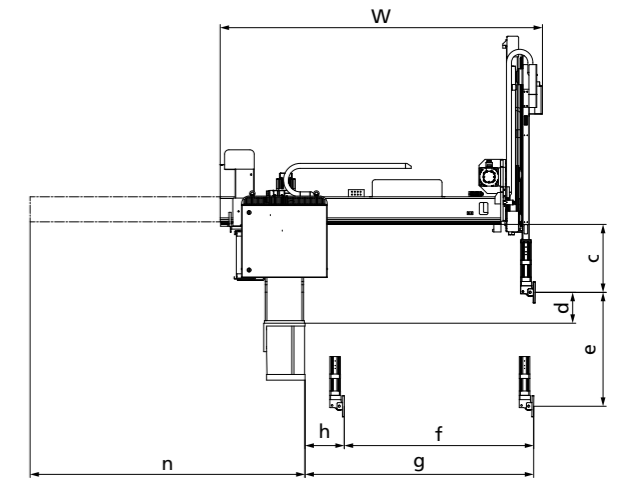
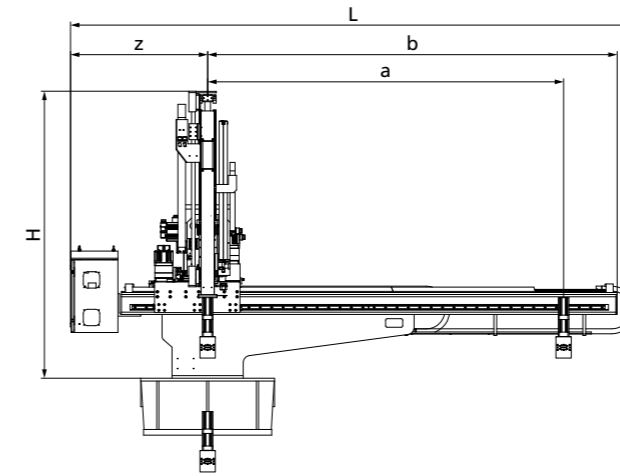
XTD full servo  
Fit 800-4000 t IMM  
More efficient  
More stable



## Basic reference

Model	Unit	Form of boom	IMM	Power to be consumed	Power supply	Capacity of power supply equipment	Air pressure	Amount of air to be consumed	Type of drive	Minimum pickup time	Full-circulation time (not including fixture)	Maximum load (including fixture)	Post torque	Weight
		-	ton	kW	-	kVA	MPa	NL/cycle	-	s	s	kg	N.m	kg
XTD-1100ID			280-470	1.6		3.0	0.49	16.8		2.55	7.8	8	13	430
XTD-1300ID			530-700	1.64	AC single-phase 200V±10% 50/60Hz	3.0	0.49	17.6		2.69	8.4	8	13	460
XTD1500ID/w/MS			700-1000	1.9		3	0.49	18.7		2.84	11.8	12	25	500
XTD-1500ID		Open type	700-1000	2.24		4.0	0.59	20.1	Full servo drive	3.11	13.2	20	45	1210
XTD-1700ID	1000-1300		2.3		4.0	0.59	20.3	3.18		15.4	20	45	1250	
XTD-2000ID			1300-1600	2.84	AC three-phase 200V±10% 50/60Hz	5.0	0.59	20.7		3.32	17.2	35	100	1248
XTD-2500ID			1600-2100	3.16		8.0	0.59	23.7		5.57	19.3	40	200	2512
XTD-3000ID			2100-4000	4.0		10.0	0.59	26.5		7.16	22.13	80	360	2650

## Size & Data



## Specifications

Type	XTD-1100ID	XTD-1300ID	XTD1500ID/w/MS	XTD-1500ID	XTD-1700ID	XTD-2000ID	XTD-2500ID	XTD-3000ID
L	3004	3184	3789	3835	3835	4575	5257	5864
W	1962	2162	2162	2450	2450	3535	3685	3559
H	1610	1670	1810	2025	2120	2480	3030	3522
a	1800	2000	2500	2500	2500	3000	3500	4000
b	2283	2523	3023	2876	2876	3410	3915	5582
c	402	402	402	500	500	452	593	601
d	260	260	188	190	190	325	366	358
e	1100	1300	1500	1500	1700	2000	2500	3000
f	980	1160	1160	1340	1340	1800	2200	2200
g	1235	1415	1415	1632	1632	2165	2715	2695
h	255	255	255	292	292	365	515	495
n	1480	1660	1660	1907	1907	2500	3082	3087
z	700	700	700	942	942	945	1095	1095
Remark	Base displacement: 50mm							



Automotive



Logistics



Home appliance



Home furnishings



# XTA-ID/h High speed Series

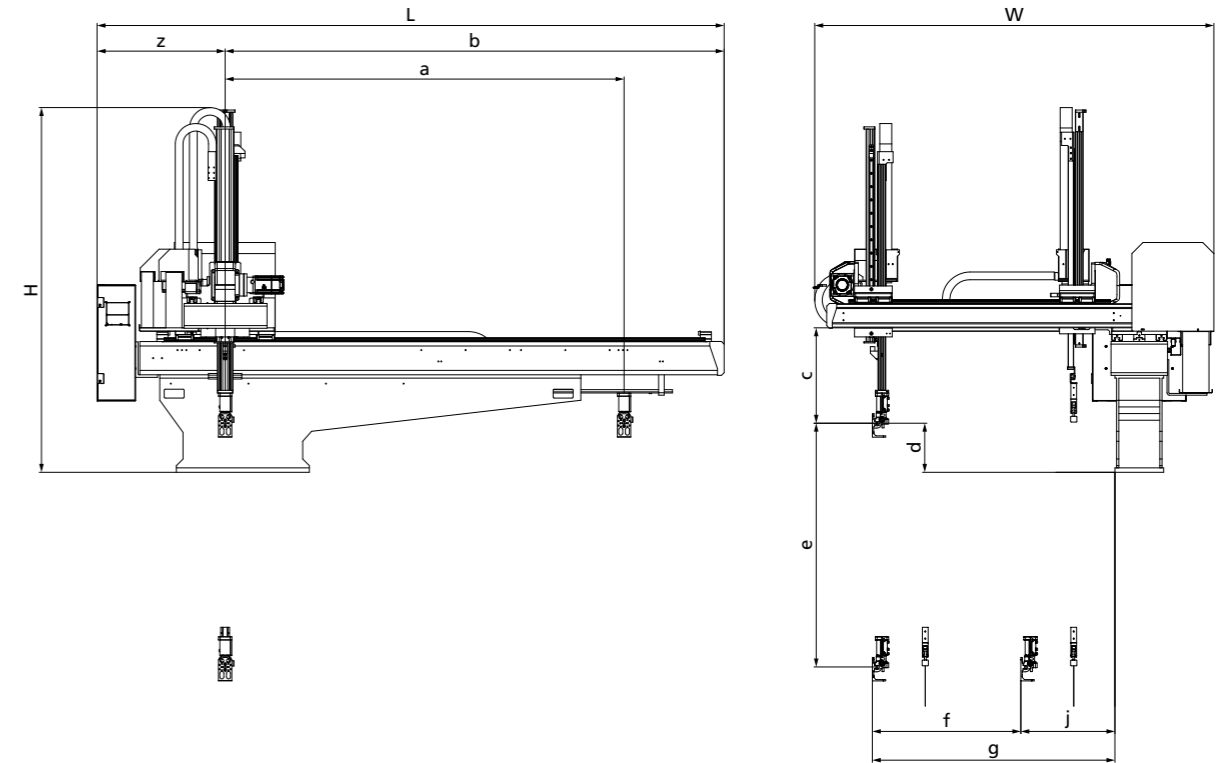
Fit 40-650 t IMM  
More faster  
More efficient



## Basic reference

Model	Unit	Form of boom	IMM	Power to be consumed	Power supply	Capacity of power supply equipment	Air pressure	Amount of air to be consumed	Type of drive	Minimum pickup time	Full-circulation time (not including fixture)	Maximum load (including fixture)	Post torque	Weight
		-	ton	kW	-	kVA	MPa	NL/cycle	-	s	s	kg	N.m	kg
XTA-800ID/h			40-170	1.8		3.0	0.49	3.05		1.14	4.3	2	8.5	300
XTA-900ID/h			170-210	1.8		3.0	0.49	3.2		1.18	4.4	2	8.5	310
XTA-1000ID/h		Double-section frame	210-270	1.8	AC single-phase 200V±10% 50/60Hz	3.0	0.49	3.2	Full servo drive	1.21	4.5	2	8.5	320
XTA-1100ID/h			270-380	3.6		4	0.49	6.2		1.51	6.1	4	13	515
XTA-1300ID/h			380-650	3.6		4	0.49	6.4		1.55	6.3	4	13	520

## Size & Data



## Specifications

Type	XTA-800ID/h	XTA-900ID/h	XTA-1000ID/h	XTA-1100ID/h	XTA-1300ID/h
L	2320	2320	2320	2970	3150
W	1570	1690	1690	1790	1970
H	1340	1400	1460	1650	1750
a	1400	1400(1600)	1400(1600)	1800	2000
b	1760	1760 (1940)	1760(1940)	2170	2350
c	260	260	260	328	328
d	140	140	140	200	200
e	800	900	1000	1100	1300
f	670 (570)	790 (670)	790 (670)	900	1100
g	800 (700)	920 (800)	920 (800)	1050	1250
j	130	130	130	150	150
z	550	550	550	800	800

Remark

